

SNR: a general range
for specialist solutions

SNR - Industry





Manufacturer expertise, leader standing

Although the bearing is usually out of sight, it plays a vital role in your machinery. Though its function, rotation, appears simple, it conceals a vast mechanical complexity.

Analysis and control of mechanical interactions, in-depth knowledge of materials, and customer feedback all constitute part of the "manufacturer culture" that SNR shares with its clients.

While this all-encompassing approach is based on extensive experience, it remains firmly focused on the future to anticipate innovative solutions and develop bearing performance.

Therefore, our emphasis is placed on R&D, because at SNR, we are aware that world-wide



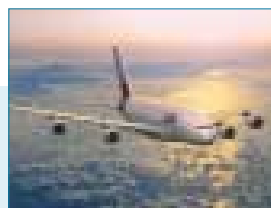
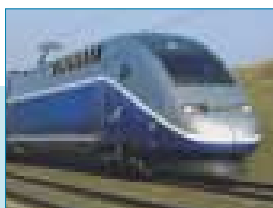
recognition and standing can only be earned through painstaking attention to detail.

Together with our products, we also endeavour to remain in step with your expectations by providing efficient services and ensuring contact availability.

Faster, further, higher: SNR meets all bearing challenges

Although it was automobile bearings that forged SNR's reputation through the decades, SNR's products have continuously shown their mettle in other extremely demanding mechanical environments such as industry and aerospace.

- **Rail:** After our contribution to setting the world speed record at 513.3 km/h on all TGV components, SNR is now the only manufacturer approved at 385 km/h on the test bench.
- **Industry:** SNR bearings are recognised in all the main industrial sectors: textile, agriculture, automation, mining, steelworks, paper mills, cement works, agri-food, etc.
- **Aerospace:** A380 - the biggest airliner in the world and the Ariane 5 space launcher are just two examples of major programmes within which SNR develops its technology and know-how.
- **Automotive:** currently 8 out of the 10 best selling vehicles in Europe are fitted with SNR's ASB® instrumented bearings, a standard recognised throughout the world by the profession.





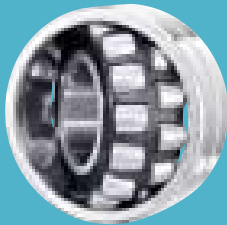
Bearings: a solution for every application



Standard bearings

Our standard is excellence: SNR standardized bearings meet the most rigorous quality criteria and benefit from every technological break-through made by our R&D service.

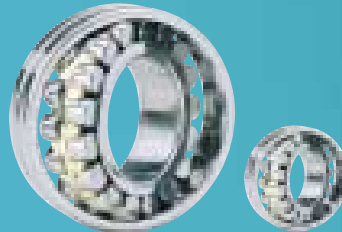
PREMIER



Spherical roller bearings

- Range optimization,
 - load capacity: 18% greater than competition
 - service life: 75% longer fatigue life

21300 / 22200, 22300 / 23000, 23100, 23200 / 24000, 24100



EF800 vibration applications

- One-piece bronze case centered on rolling elements, assembly optimized (reduced tolerance limits on the outer diameter), special radial internal clearance
- Spherical roller bearing, 22300 series: bore up to 170mm

Radial contact ball bearings



Single row ball

600 / 6000, 6200, 6300, 6400 / 16000 / 61800, 61900 / 62200, 62300, 63000

Double row ball

4200, 4300

Taper roller bearings



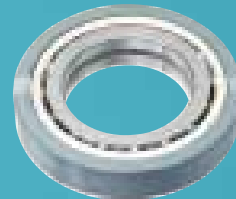
30200, 30300 / 31000, 31300 / 32000, 32200, 32200B, 32300, 32300B / 33000, 33100, 33200

Self-aligning ball bearings



1200, 1300 / 2200, 2300 / 11200, 11300

Angular contact bearings



Single row ball

7200, 7300

4 point contact ball

QJ300

Double row ball

3200, 3300

Double row shielded (ZZ) or sealed (EE) ball

5200, 5300

Cylindrical roller bearings



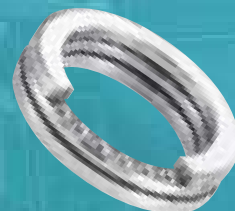
N, NJ, NU, NUP 200 - 300 - 2200 - 2300 / NJ, NU 400

Spherical roller thrust bearings



• New optimized series
29300, 29400

Ball thrust bearings



51100, 51200, 51300, 51400



Standard bearings tailored to your needs

MACHLINE comprises products of exceptional quality for machine tool spindle applications. TOPLINE products feature compatibility with operation under extreme temperature or speed conditions.

TOPLINE



- For your high temperature, low temperature, high speed bearing operation needs, try the TOPLINE range

Divided into 4 families, this range provides solutions for the most demanding technical applications

MACHLINE



- High precision bearings manufactured at our production site dedicated to aerospace applications

Bearings for high-speed applications both open and sealed



Angular contact ball bearings, bore up to 280mm
71900 / 7000 / 7200

Available in hybrid version with ceramic balls:

- greater rigidity
- increased speed
- service life 4 times that of conventional designs



Special bearings incorporating several functions

Through the functions incorporated into them, their lubrication mode, their surface treatments, these bearings go beyond rotation to anticipate the future of bearings. They open the way to new applications, facilitating or sweeping aside the usual service life criteria.

Integration of the mechanical environment



- Integration of connected functions such as power transmission (meshed gears, planet gears, etc.) into the bearing
- Specific modifications for applications where conventional attachment (fitting) is not possible

Solid lubrication



- Lubsolid, a solid lubricant range optimising particularly difficult applications: oscillation, centrifugation, vacuum, extremely low temperatures, etc.
- Bearing service lives multiplied by a factor of 20

Measurement systems



- Complete solutions developed based on SNR's automotive experience: incorporation of a magnetic encoder and a sensor measuring direction, rotation speed, pseudo-absolute position and angle into the bearing (Sensorline® and Sensorline® Encoder)
- Modular solutions: ASIC (Integrated circuit), magnetisation

Surface treatment

- Phosphating and copper plating: prevent fretting corrosion
- Nitriding (surface hardening)
- Deposition/plating or ceramic rolling bodies: electrical insulation



Bearings: a range unmatched on the market



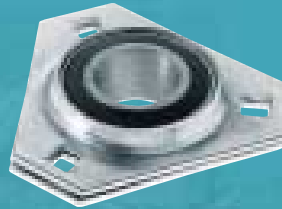
Bearing - inserts and bearings housings

By combining modular solutions, SNR can offer more than 6,000 part numbers throughout the world. An unrivalled choice that allows us to provide extremely efficient, customized solutions.

Self-aligning bearings



• Cast iron



• Stamped steel



• Thermoplastic (Polybutylene Terephthalate -PBT resin)



• Stainless steel



• Standard insert (steel)



• Stainless steel insert

Split cast iron housing units



Special bearings

We provide a highly focused response to the specific requests of some industries (agri-food, pharmaceutical, etc.) by developing bearings with exclusive characteristics:

- Surface treatment: galvanizing, nickel plating, specific paint, etc.,
- Special attachment or sealing systems,
- Specific shapes and dimensions.



Sleeves, accessories and components

High quality components for bearing installation / removal.

Sleeves



• Adapter



• Withdrawal



• Hydraulic

Nuts and washers



• Washer



• Standard nuts



• High precision self-locking nuts

Balls





Maintenance Services: ensuring optimum bearing service life



Maintenance products and services

Maintenance is synonymous with bearing "life assurance", this safeguards your productivity. We offer customised, tailored solutions that are never oversized: tools for integrated maintenance or one-off or continuous maintenance programmes.

Services



Analysis, monitoring, training: exclusive services

SNR can provide extremely reliable predictive analysis means and is ready to share its know-how through customised training courses. A real investment in your production tool's future.

- **On-site and remote vibration monitoring and expert analysis:** a key component of quality on-condition maintenance that goes beyond merely controlling bearing condition. Working together with 01dB Acoustics & Vibration, our specialist partner, SNR can guarantee impartial troubleshooting.
- **Installation / removal of bearings, shaft alignment:** interventions modified to suit each type of application and each sector: paper mills, quarries, steel works, sugar refineries, cement works, agri-food, chair lifts/ ski-lifts, etc.
- **Bearing expertise:** identify damage mechanisms by entrusting analysis to competent and responsive professionals.
- **Modular training:** complete customised content (bearings / mounted units, installation / removal, lubrication, shaft alignment, vibration analysis) taking into consideration the extremely diverse environments in which our solutions are implemented.

Lubrication



Installation & removal



Monitoring & measurement





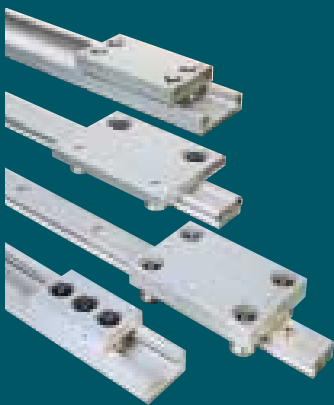
Linear motion: let experience be your guide



Guide rails, shafts and systems

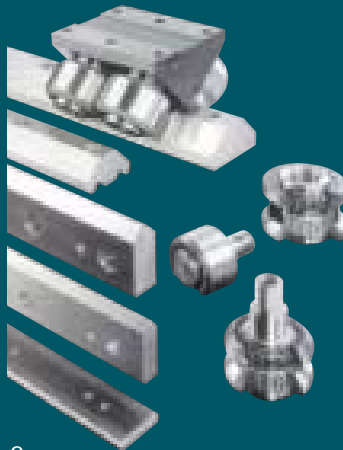
SNR, a groundbreaker in linear motion instrumentation, proposes a range of innovative, well-designed systems and products suitable for numerous applications.

Linear guide rails



1

• *Roller-type guide system*



2

Ball bearings, needle bearings and roller bearings

- 1 - Aluminium rails
- 2 - Steels rails



• *Ball or roller recirculation guide system*

Linear guide with roller-type or ball-type cages

- Standard precision linear guides
- Miniature linear guides
- Linear modules
- Splined shafts
- Rotating splined shafts
- Slide rails

Shafts and systems

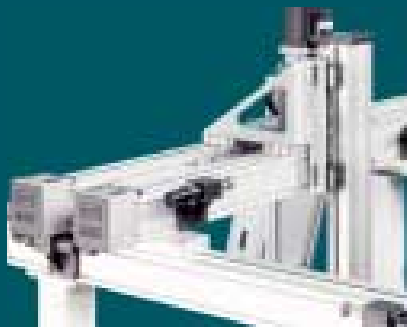


1

2

• *Standards shaft range*

- 1 - AXC40, AXC 60, AXC 80, AXC 120
- 2 - AXLT 155, AXLT 225, AXLT 325, AXLT 455



• *"Customized" systems range*

AXS



• *"Linear engine" systems range*

AXLM

Automation systems (drive control) are available for all these ranges

Europe

FRANCE

SNR Paris 40, rue Jean Bleuzen
B.P. 49
92174 Vanves Cedex

Tél. 01 40 93 66 00
Fax. 01 40 93 66 10

SNR Lyon
Europe*

Le Florentin - 71, chemin
du Moulin Carron - B.P. 8
69570 Dardilly

Tél. 04 78 66 68 00
Fax. 04 78 66 68 20

DEUTSCHLAND

SNR WÄZLAGER GMBH
40472 Düsseldorf Wahlerstraße 6
40437 Düsseldorf
Postfach 33 04 10

www.snr.de
Tel. (0211) 6 58 06-0
Fax. (0211) 6 58 88 86

33719 Bielefeld Friedrich-Hagemann-Str.66
33701 Bielefeld
Postfach 17 01 45

Tel. (0521) 9 24 00-0
Fax. (0521) 9 24 00 90

70597 Stuttgart Tränkestraße 7
70574 Stuttgart
Postfach 70 04 16

Tel. (0711) 9 00 64-0
Fax. (0711) 9 00 64 99

ITALIA

SNR Italia
Milano

Via Keplero, 5
20019 Settimo
Milanese (MI)

Tel. (02) 33 55 21
Fax (02) 33 50 06 56

ESPAÑA - PORTUGAL

SNR Rodamientos Ibérica S.A.
Madrid

C/ Llanos de Jerez, 22
Polígono Industrial
28820 Coslada

Tél. 91 671 89 13
Fax. 91 673 65 48

UNITED KINGDOM

SNR UK
Cheltenham P.O. Box 828
Cheltenham
GL 52 3WE

Tel. (44) 1242 574 679
Fax. (44) 1242 525 753

*EUROPE

Subsidiaries excepted

Fax. 04 78 66 68 21

Amériques / Americas

USA

SNR Bearings USA
Atlanta 4600 K Highlands Pkwy
Smyrna, G.A. 30082

www.snrbearings.com
Tel. (770) 435-2818
(800) 232-1717
Fax. (800) 742-5215

AMERICA LATINA

SNR Argentina
Buenos-Aires

Viamonte 1145 - Piso 11
1053 Buenos-Aires

Tel. (54) 11-4 372-1272
Fax. (54) 11-4 372-0088

SNR Intermondial (Overseas)

Anney 1, rue des Usines
74000 Anney
France

Tél. (33) 4 50 65 93 60
Fax. (33) 4 50 65 93 75
Fax. (33) 4 50 65 93 76

MAROC

SNR Maroc
Casablanca

73, bd Moulay Slimane
Ain Sebaà Casablanca
B.P 15873 Casa-Principal

e-mail : info@snr.ma
Tél. (212) 22 66 76 80
Fax. (212) 22 66 51 66



Siège social : Rue des Usines - 74000 Anney - FRANCE

RCS Anney B 325821072 - Code NAF 291H

www.snr-bearings.com